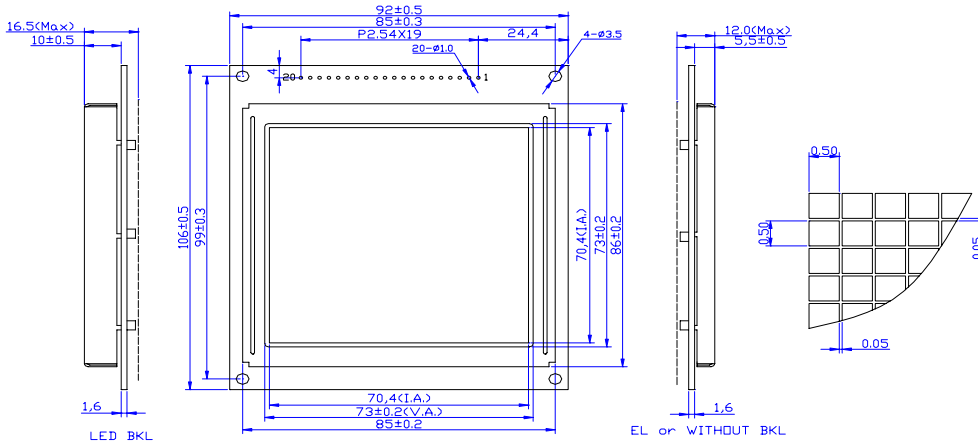
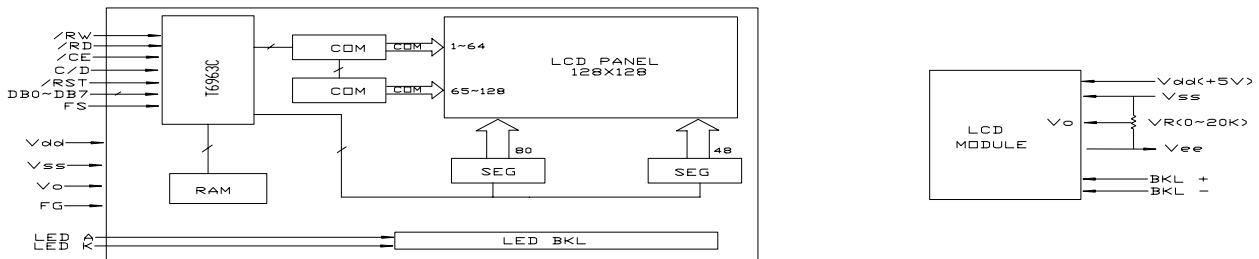


OUTLINE DIMENSION



BLOCK DIAGRAM & POWER SUPPLY



MECHANICAL SPEC. & FEATURES

Item	Dimension(mm)	Features	
Module Size(W × H × T)	92.0 × 106.0 × 12/16.5	LC Fluid	STN (Yellow-green, Gray, Blue), FSTN
Viewing Area(W × H)	73.0X73.0	Polarizer	Reflective, Transflective, Transmissive
Dot Size(W × H)	0.50X0.50	View Angle	6:00 o'clock or 12:00 o'clock
Dot Pitch(W × H)	0.55X0.55	Display Type	Positive or Negative
Dots × Dots	128 × 128	Backlight	LED (Optional)
		Operating Temp.	0 ~50 or -20 ~70
		Controller	T6963C or Equivalent

INTERFACE PIN CONNECTIONS

Pin No.	Symbol	Function	Pin No.	Symbol	Function
1	FG	Frame ground	8	C/D	Register selection (H:Data, L:Instruction)
2	Vss	Ground for logic	9	/RST	Reset signal
3	Vdd	Power supply for logic	10~17	DB0~DB7	Data bus lines
4	Vee	Power supply for LCD	18	FS	Font selection
5	/WR	Write enable	19	A	BKL +
6	/RD	Read enable	20	K	BKL -
7	/CE	Enable signal for IC			

ELECTRICAL CHARACTERISTICS

Item	Symbol	Test Condition	Min.	Typ.	Max.	Unit
Operating Voltage	Vdd	Ta=25	---	5.0	---	V
Operating Voltage for LCD	Vlcd	Ta=25	---	4.5	---	V
Supply Current	Idd	Ta=25 , Vdd=5.0V	---	2.5	3.0	mA
Supply Voltage for LED	Vf	Ta=25	---	4.2	---	V
Supply Current for LED	If	Ta=25 , Vf=4.2V	---	---	---	mA